

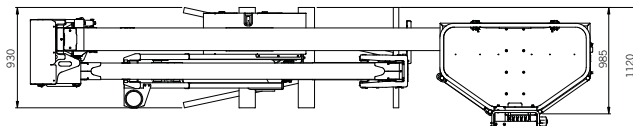
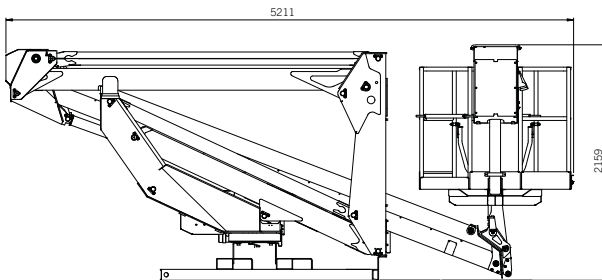
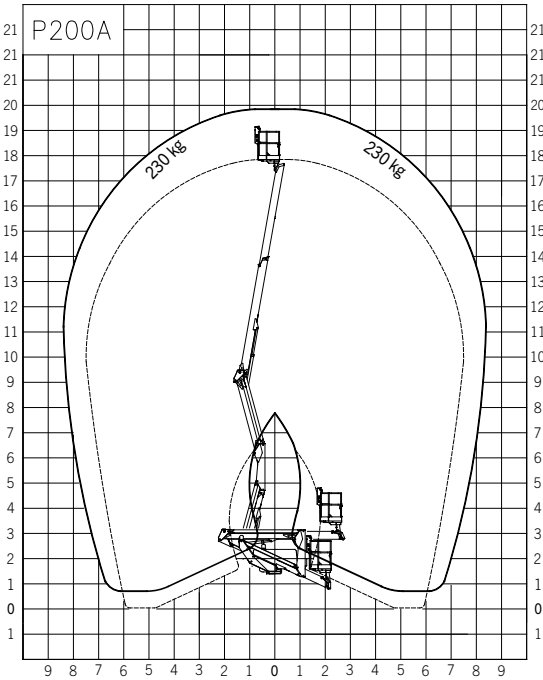
# P 200 A *Smart* KIT

**PALFINGER**

PALFINGER PLATFORMS ITALY



# P 200 A *Smart* KIT



19,80 m



8,40 m



230 kg



1,4x0,85x1,1 m



Idraulici  
Hydraulisch  
Hydraulic  
Hidráulicos



90° + 90°



370°



1220 kg