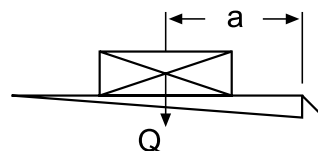




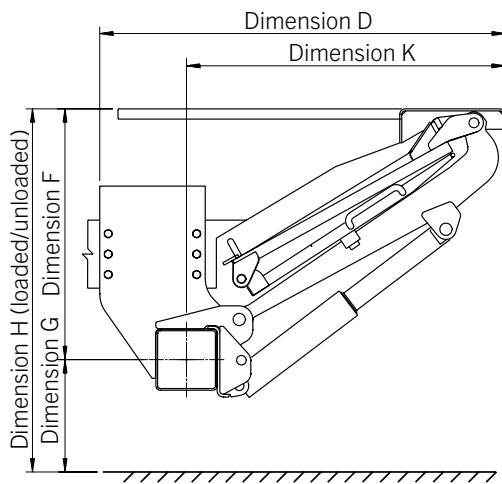
- The tail lift for variable applications in distribution transport with different loading requirements
- 1,500 kg lifting capacity with 600 mm load distance
- Two lifting cylinders with reinforced parallel beams
- All-aluminium platform for easy folding and unfolding
- Three-piece underride guard
- Also available without rear-end section (RS) for refrigerated vehicle body applications
- Large selection of special equipment available

LOAD DIAGRAM

a (mm)	Q (kg)
600	1,500
720	1,250
900	1,000
1,200	750



THE FOLDABLE TAIL LIFT WITH 1,500 KG LIFTING CAPACITY



WEIGHTS

Aluminium/aluminium platform type

Platform width (mm)	2,000
Platform height (mm)	305 kg
1,210	

DIMENSIONS

Lifting arm lengths (mm)	900 with RS	900 without RS	1,000 without RS
H (max.) loading height, unloaded	1,455	1,420	1,560
H (min.) loading height, loaded	1,085	1,080	1,125
F (max.) middle of main beam to upper edge of loading floor	815	850	900
K (min.) at dimension F (max.)	841	812	915
D (min.) installation dimension, minimum	K + 340	K + 340	K + 340
F (min.)	685	680	705
K (max.) at dimension F (min.)	958	970	1,070
G (max.) unloaded (middle of main beam to ground)	640	570	660
G (min.) loaded	400	400	420
E (max.) vehicle frame width (max.)	980	980	980
E (min.) vehicle frame width (min.)	650	650	650

TECHNICAL DATA

Type	MBB F 1500 L
Lifting capacity	1,500 kg
Main beam	180 x 180 mm
Lifting gear hydraulics	2 lifting cylinders
Lifting arm pitch	1,310 mm
Load centre, longitudinal	600 mm
Load centre, across centre	Central, 50% of rated load on one side
Inclination angle of the platform	+8° to -8°

